



LEVEL FLOAT SWITCHES



Level regulators



Level Regulators

Aqua's Level regulators allow to control and/or automate electrical devices in relation to the level of liquid being monitored.

These level regulators are widely used for the filling or emptying of water tanks but also have a wide field of applications such as submersible water pumps, bore hole well pumps, safety devices, ball valves, electro valves, alarms and others.



Level regulators



GMS

GMSA

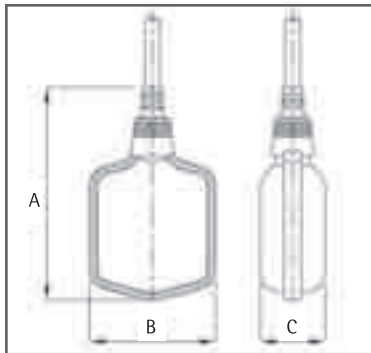
A small and compact* level regulator widely used on submersible water pumps which will automatically start and stop an electrical device. This level regulator is made in compliance with UL regulations and all materials and components used have been severely tested to obtain such approvals. High reliability, durable quality, and high micro switch power are the main characteristics of this level regulator. Made for one function only: either emptying or filling.

GMS1

A small and compact* level regulator widely used on submersible water pumps which will automatically start and stop an electrical device. This level regulator is made in compliance to TUV (0,6 Mt. version with cable H07RN) and CE regulations and all materials and components used have been severely tested to obtain such approvals.

High reliability, durable quality, and high micro switch power are the main characteristics of this level regulator. Made for one function only: either emptying or filling.

TECHNICAL FEATURES	GMSA UL/CS	GMS1 TUV	GMS1 PVC
Cable type:	SJOW 16/2 AWG	H07RN-F 3Gx1	PVC-05V V-F3x1
Cable length:	0,6 mt	0,6 mt	2-3-5-10-15-20 mt
Nominal power rating:	20 (8) A @ 250V	20 (8) A @ 250V	20 (8) A @ 250V
Max. working temp.:	- 0°C ÷ 40°C	- 0°C ÷ 40°C	- 0°C ÷ 40°C
Storage temperature:	- 0°C ÷ 50°C	- 0°C ÷ 50°C	- 0°C ÷ 50°C
Switch angle:	±45°	±45°	±45°
Housing material:	100% PP	100% PP	100% PP
Dimensions:	74x124x38	74x124x38	74x124x38
Weight:	100g.	100g.	100g.
Buoyant capacity:	200 ml.	200 ml.	200 ml.
Pressure resistance:	1 bar	1 bar	1 bar
Protection grade:	IP68	IP68	IP68
Function class:	II	I/II	I/II
Mark:	CE	CE	CE
Approvals:	UL - CSA	TUV	-



DIMENSIONS a x b x c (mm): 124 x 74 x 38

GMS Level Regulators

CODE	MODEL	LENGHT (mt)	QUANTITY BOX	PRICE
A5010010	GMSA UL/CSA	0,6	1500	
A5010030	GMS1 TUV	0,6	1500	
A5010040	GMS1	2	50	
A5010050	GMS1	3	45	
A5010060	GMS1	5	35	
A5010070	GMS1	10	20	
A5020010	GMS1 PVC	2	50	
A5020020	GMS1 PVC	3	45	
A5020030	GMS1 PVC	5	35	
A5020040	GMS1 PVC	10	20	
A5020080	GMS1 PVC	15	15	
A5020090	GMS1 PVC	20	10	

Level regulators



KMS

KMS Level Regulators

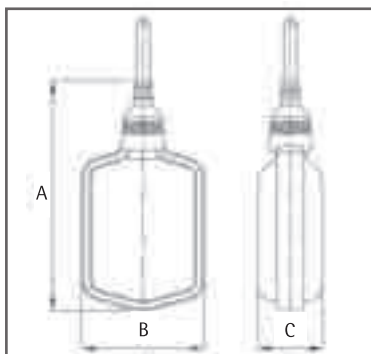
Widely present on the market, this float switch is often used in control and/or automation of electrical devices. Largely used on submerged and submersible pumps and for filling and emptying of tanks.

KMS1 model is made in compliance with TUV normatives (model with 0.615 mt H07RN cable) and CE normatives; all its components are subject to severe and continuous tests.

High reliability and long term quality are the main characteristics of this Float Switch.

Single function device: Either filling or emptying.

TECHNICAL FEATURES	KMS1 TUV	KMS1 PVC
Cable type:	H07RN-F 3Gx1	PVC-05V V-F3x1
Cable length:	0,6 mt	2-3-5-10-15-20 mt
Nominal power rating:	20 (8) A @ 250V	20 (8) A @ 250V
Max. working temp.:	- 0°C÷40°C	- 0°C÷40°C
Storage temperature:	- 0°C÷50°C	- 0°C÷50°C
Switch angle:	±45°	±45°
Housing material:	100% PP	100% PP
Dimensions:	84x158x45	84x158x45
Weight:	180 g.	180 g.
Buoyant capacity:	330 ml.	330 ml.
Pressure resistance:	1 bar	1 bar
Protection grade:	IP68	IP68
Function class:	I/II	I/II
Mark:	CE	CE
Approvals:	TUV	-



DIMENSIONS a x b x c (mm): 158 x 84 x 44,5

KMS Level Regulators

CODE	MODEL	LENGHT (mt)	QUANTITY BOX	PRICE
A5030010	KMS1 TUV	0,6	1500	
A5030020	KMS1	2	45	
A5030030	KMS1	3	40	
A5030040	KMS1	5	30	
A5030050	KMS1	10	20	
A5030140	KMS1	15	15	
A5030160	KMS1	20	10	
A5040010	KMS1 PVC	2	45	
A5040020	KMS1 PVC	3	40	
A5040030	KMS1 PVC	5	30	
A5040040	KMS1 PVC	10	20	
A5040090	KMS1 PVC	15	15	
A5040100	KMS1 PVC	20	10	

Level regulators



BMS

BMS Level Regulators

The "heavy weight" in the heavy duty float switches, is usually used in control and automation of electrical devices. Thanks to its particular shape, it assures a very good floating performance, and the double isolation chamber (2 bodies) grants the maximum reliability in waste waters, muds, slime and aggressive liquids usage.

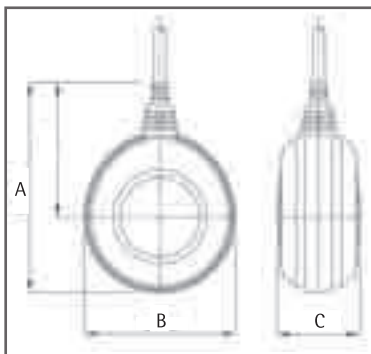
BMS1 Model is made in compliance with TUV normatives (model with 0.615 mt H07RN cable) and CE normatives; all it's components are subject to severe and continuous tests.

High reliability and long term quality are the main characteristics of this Float Switch.

Single function device: Either filling or emptying.



TECHNICAL FEATURES	BMS1 TUV	BMS1 PVC
Cable type:	H07RN-F 3Gx1	PVC-05V V-F3x1
Cable length:	0,6 mt	2-3-5-10-15-20 mt
Nominal power rating:	20 (8) A @ 250V	20 (8) A @ 250V
Max. working temp.:	- 0°C÷40°C	- 0°C÷40°C
Storage temperature:	- 0°C÷50°C	- 0°C÷50°C
Switch angle:	±45°	±45°
Housing material:	100% PP	100% PP
Dimensions:	113x157x62	113x157x62
Weight:	250 g.	250 g.
Buoyant capacity:	560 ml.	560 ml.
Pressure resistance:	1 bar	1 bar
Protection grade:	IP68	IP68
Function class:	I/II	I/II
Mark:	CE	CE
Approvals:	TUV	-



DIMENSIONS a x b x c (mm): 156,5 x 113 x 61,5

BMS Level Regulators

CODE	MODEL	LENGHT (mt)	QUANTITY BOX	PRICE
A5050100	BMS1 TUV	0,6	650	
A5050130	BMS1	2	45	
A5050140	BMS1	3	40	
A5050150	BMS1	5	30	
A5050160	BMS1	10	20	
A5050170	BMS1	20	10	
A5060120	BMS1 PVC	2	45	
A5060130	BMS1 PVC	3	40	
A5060140	BMS1 PVC	5	30	
A5060150	BMS1 PVC	10	20	
A5060160	BMS1 PVD	20	10	

Level regulators



CW

CW

A common counterweight which is placed directly onto the level regulator's cable allowing the regulator to perform with a different time span. This is ideal when small or very large tanks are being used. By regulating the position of the counterweight, it is possible to determine when the electrical device should turn off or on or vice-versa, depending on the level regulator selected.

TECHNICAL FEATURES	CW 170	CW 700
Dimensions:	5,5 x Ø6	11,5 x Ø8
Material:	PP	PP
Standard colour:	Nero Black	Nero Black
Weight:	195 g.	780 g.



Counterweights

CODE	MODEL	QUANTITY	KG	VOLUME (cm)	PRICE
A5018060	CW 170	120	24,0	18x28x50	
A5018040	CW 700	20	15,6	18x28x50	

AEC Electric Cables

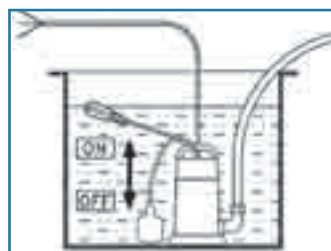
CODE	TYPE	PRICE
MQ030020	H07RN-F 3Gx1	
MQ020010	PVC-05VV F3x1	
MQ030030	H07RN-F 3Gx1 (Senza Cavo Terra - Without Ground Cable)	
MQ030010	SJOW16/2	

Packing for level regulators

DESCRIPTION

Single plastic bag with handle for level regulator with instruction booklet & label

LEVEL REGULATOR FUNCTIONING



SINGLE EFFECT MODELS

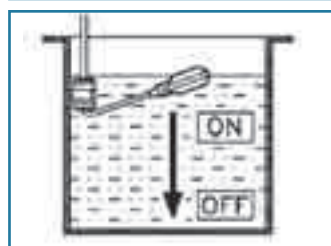
2 WIRES (BLUE BROWN)

2 WIRES (BLUE, BROWN) + EARTH (YELLOW/GREEN)

FUNCTIONING EMPTYING

The switch is off

when level regulator is DOWN



DOUBLE EFFECT MODELS

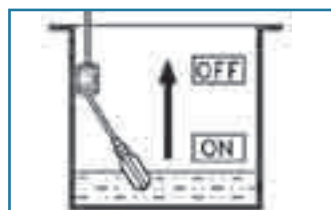
3 WIRES (BLUE BLACK BROWN)

EMPTYING FUNCTIONING

The switch is off

when level regulator is DOWN

(Use black and brown wires)



FILLING FUNCTIONING

The switch is off

when level regulator is UP

(Use black and blue wires)

AQUA



Head Of ce:

I **AQUA S.p.A.:** 42018 San Martino in Rio, (RE) / Phone:+39 0522 695805/85 - Fax:+39 0522 646160 / e-mail:aqua@aquait - Web:www.aqua.it

Branches:

UK **AQUA WATER SYSTEMS LTD** Unit 135 Oak Drive Hartlebury Trading Est. Hartlebury Worcs. DY10 4JB Tel: +44 (0)1299 251050. Fax: +44 (0)1299 253704 email:sales@askaqua.co.uk web:www.askaqua.co.uk

F **AQUA FDI Sarl:** 95300 Pontoise / Phone:+33 (0)1 30304040 - Fax:+33 (0)1 30301810 / Web:www.aqua-fdi.com - e-mail:contact@aquafdi.com

E **AQUA FILTRACION S.A.:** Pol. Ind. Castellbisbal Sud 08755 Castellbisbal, Barcellona / Phone:+34 (0)93 7711855 - Fax:+34 (0)93 7711772 / e-mail:info@aquaes - Web:www.aqua.it

PL **SECURA B.C. Sp. z o.o.:** 04-388 Warsaw / Phone:+48 (0)22 8134569 - Fax:+48 (0)22 8132949 / e-mail:secura@secura.com.pl - Web:www.secura.com.pl

RO **S.C. ROM-AQUA SRL:** 310031, Arad / Phone:+40 (0)257 216601 - Fax:+40 (0)257 216602 / e-mail:romaqua@zappmobile.ro - selin@rdslink.ro - Web: www.ltre-apa.ro

TR **AQUA SU ARITIMI SAN.TIC.MUHENDISLIK LTD:** Rihitim Cad.fransiz Gedici C Block 59/38, Karakoy Istanbul / Phone: 0090 212 2920400 / Fax: 0090 212 2920323
e-mail: info@aquacom.tr / Web: www.aquacom.tr

UAE **AQUA MIDDLE EAST FZCO:** P.O.Box 42585 Sharjah - United Arab Emirates - Tel No. +971 6 526 0563 - Fax No. +971 6 526 0564 - e-mail: contact@aquame.ae - Web: www.aqua-me.ae

IND **AQUA WATER SYSTEMS INDIA PVT LTD:** 3 Rd Floor 79/3/10 S R A Complex, Outer Ring Road, Bellandur Bangalore 560 103 / Phone: 091 080 4214 1414 / Fax 090 080 4214 14 15
e-mail:sales@aquaindia.in / Web: www.aquaindia.in

RUS **AQUA WATER SYSTEMS RUS:** 111033, Moscow, Slobodskoy pereulok 6, str. 10 / Phone-Fax: (495) 362-4692 / (495) 772-9163 / (495) 220-9631 / Web: forwater@mail.ru

SN **AQUA WATER SYSTEMS WEST AFRICA:** Dakar - Senegal